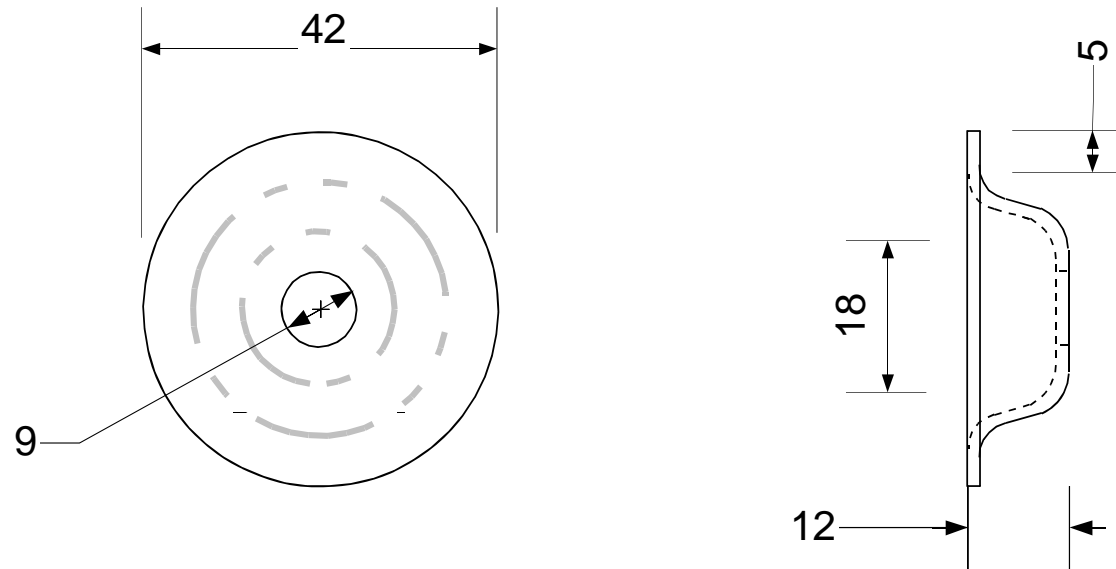




Product Data Sheet

DOOR LOCK CUP - RPN 0218

Application : Recessing of Bolt Heads in Doors and Enclosures



All dimensions in Millimetres

Material - Low carbon Steel to EN 10130 FePo4 - 1.6mm Thick

Finish - Self Colour

The Regent Engineering Co. (Walsall) Ltd Salisbury Street Darlaston Wednesbury West Midlands WS10 8XB UK

E-mail : [info@regenteng.com](mailto:info@regenteng.com)

Web : [www.regenteng.com](http://www.regenteng.com)

Phone 44 (0)121 526 6060

Fax : 44(0)121 526 4789

© 2005